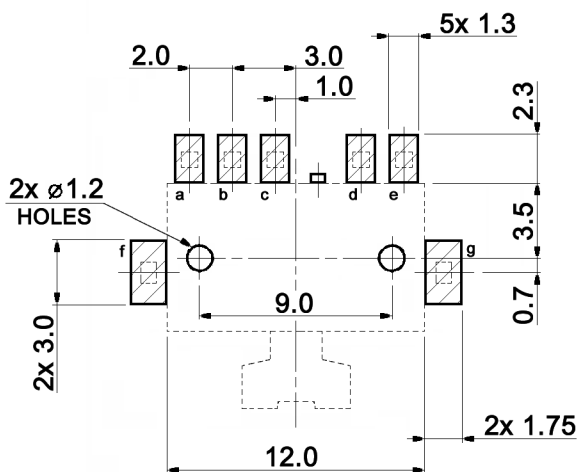
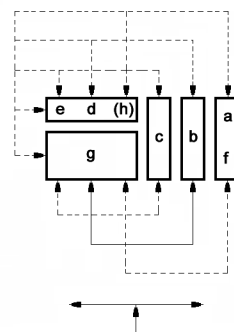


P.C.B. LAYOUT  
TOP VIEW

⊕ 0.05



CIRCUIT DIAGRAM



Compliance: RohS III (2015/863/EU)

Tolerances: up to 10: ±0.2mm above 10-50: ±0.3mm		Date	Name
		03/09	dr
Sheet preview	03/09	dr	
Modifications	Date	Name	

**MMSP 132**

**30 05 05**

**knitter-switch**

Page

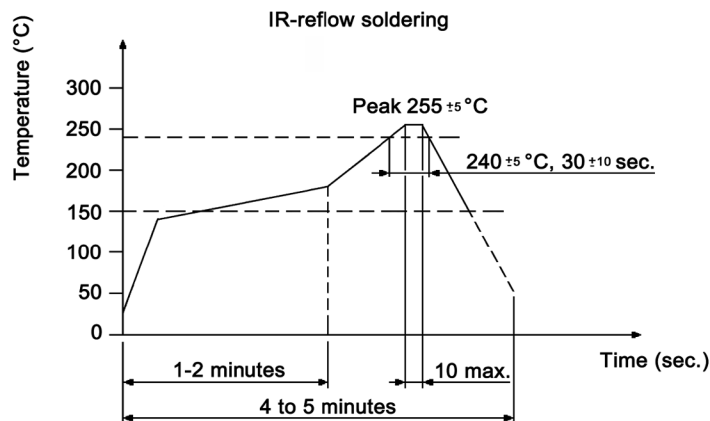
1/3

**Specifications:**

Contact rating: 0.5A, 4V DC  
 Contact resistance: 70mOhm max.  
 Insulation resistance: 100MOhm min. at 100V DC  
 Dielectric strength: 100V AC (50/60Hz, 2mA) for 1 minute  
 Operating temperature: -40°C to +85°C  
 Mechanical life: 5 000 cycles  
 Operating force: a-b c-b: 150 +/-100gf  
                           b-a b-c: 150 +/-100gf  
                           a-d b-d c-d: 250 +/-150gf

**Material:**  
 Steel ball: carbon steel, natural  
 Cover / lever: stainless steel, washing  
 Spring: stainless steel, temper  
 Terminal: brass strip, gold plated 0.1µm  
 Contact clip: phosphor bronze, silver plated  
 Stem / slider / case: LCP, dark grey

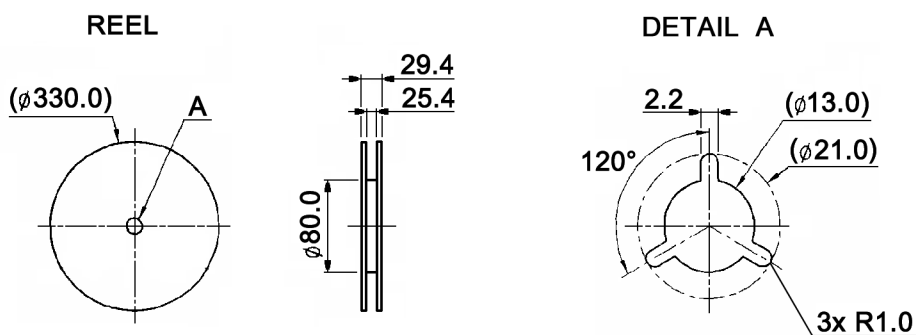
**Soldering conditions:**



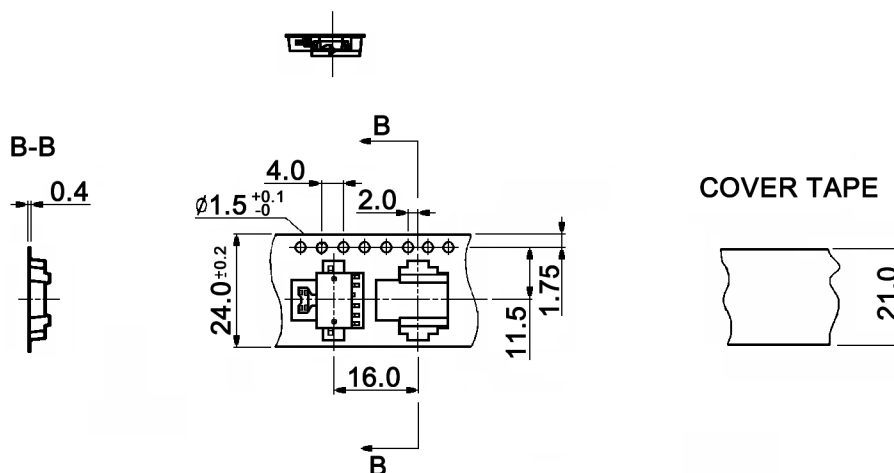
Compliance: RohS III (2015/863/EU)

Tolerances: up to 10: ±0.2mm above 10-50: ±0.3mm		Date	Name	<h1>MMSP 132</h1>
		03/09	dr	
		<b>knitter-switch</b>		<h2>30 05 05</h2>
Sheet preview	03/09	dr		Page 2/3
Modifications	Date	Name		

Packaging:



CARRIER TAPE



Packaging unit: 1 000 pcs. / reel  
 Compliance: RohS III (2015/863/EU)

Tolerances: up to 10: ±0.2mm above 10-50: ±0.3mm	Date	Name
	03/09	dr
Sheet preview	03/09	dr
Modifications	Date	Name

**MMSP 132**

**knitter-switch**

**30 05 05**

Page

3/3